

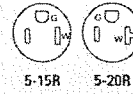
TR Receptacles

Project Name:	Prepared By:
Project Number:	Date:
Catalog Number:	Type:



Tamper Resistant Receptacles

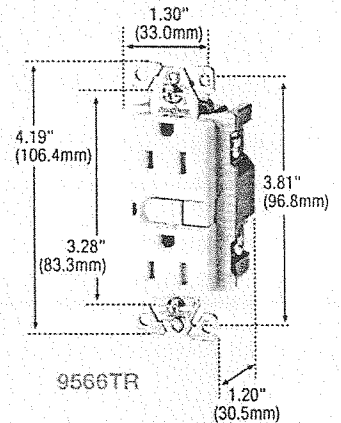
2-Pole, 3-Wire
15A, 125V/AC
20A, 125V/AC



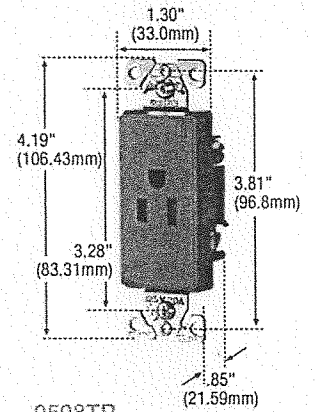
ASPIRE Collection & Recessed Receptacles

FEATURES

- Designed to coordinate with the unique look of the ASPIRE Design System - Available in three distinctive, two-tone color combinations - White Satin, Desert Sand and Silver Granite.
- Features our correct wiring/trip indicator light technology, making certain that every installation is properly wired to provide optimal protection.
- Indicator light provides quick visual reference of a tripped or "end of life" condition.
- Reset button lock-out function protects from miswired line-load connections and GFCI circuitry damage.
- Trip threshold (5ma+/-1ma) and response time (0.025 sec.) meet Class A requirements.
- Ultrasonically welded backbody.
- 20 amp feed-through rating allows full protection of downstream receptacles when wired from load side.
- Ground screw backwiring clamp for fast, secure termination.
- Maximum wiring flexibility is provided with 8 separate backwiring holes that accept up to #10 AWG stranded or solid wire.
- Longer, wider "bridged" strap provides 40% more contact area with wallboard, virtually eliminating floating installations.



9566TR



9508TR

ASPIRE Receptacles & GFCI



A	V/AC	NEMA	Description	Catalog No.	Available Colors
15A	125V	5-15R	ASPIRE Duplex Receptacle	□ 9505TR__	AW, DS, SG, WS
			ASPIRE Single Receptacle	□ 9507TR__	AW, DS, SG, WS
			ASPIRE Duplex GFCI	□ 9566TR__	AW, DS, SG, WS
20A	125V	5-20R	ASPIRE Duplex Receptacle	□ 9510TR__	AW, DS, SG, WS
			ASPIRE Single Receptacle	□ 9508TR__	AW, DS, SG, WS
			ASPIRE Duplex GFCI	□ 9569TR__	AW, DS, SG, WS

Residential Grade, Recessed



A	V/AC	NEMA	Description	Catalog No.	Available Colors
15A	125V	5-15R	Recessed Single Receptacle	□ TR775__	W
			Recessed Duplex Receptacle	□ TR780__	W

For ordering, include Cat. No. followed by the color code: AW (Alpine White), DS (Desert Sand), SG (Silver Granite), W (White), WS (White Satin)

NAFTA Compliant

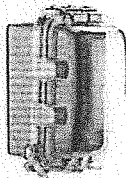
TESTING & CODE COMPLIANCE

- cULus Listed to UL498, file nos. E60120 (9569TR), E15058 (all others): Listed to UL498, file no. E15058.
- cUL Certified to CSA C22.2, no. 42.
- NOM/ANSI Certified.

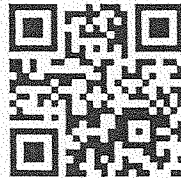
MATERIAL CHARACTERISTICS

- Environmental: Flammability meets UL94 requirements; 9566TR, 9569TR, 9505TR, 9507TR, 9508TR, 9510TR, TR775, TR780, V2 rated;
- Temperature Rating: 9510TR: -20°C to 60°C (-4°F to 140°F); 9505TR, 9507TR, 9508TR: -20°C to 70°C (-4°F to 158°F); TR775, TR780: -20°C to 70°C (-4°F to 158°F); 9566TR, 9569TR: -35°C to 66°C (-31°F to 150.8°F).

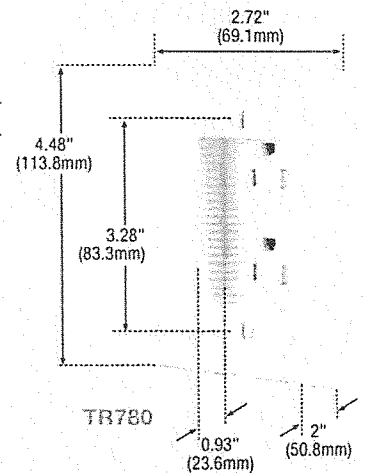
Related Products



For more information about Cooper Wiring Device's Weatherproof covers and boxes, use the QR code above or visit: <http://bit.ly/wthrcvr>



For more information about Cooper Wiring Device's complete ASPIRE Collection, use the QR code above or visit: <http://bit.ly/aspiresystem>



TR780

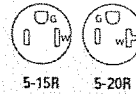
TR Receptacles

Project Name:	Prepared By:
Project Number:	Date:
Catalog Number:	Type:



Tamper Resistant Receptacles

2-Pole, 3-Wire
15A, 125V/AC
20A, 125V/AC

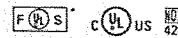


Single & Duplex Receptacles

FEATURES

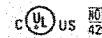
- Provides compliance with 2011 NEC® Articles 406.12 – 406.14 for Tamper Resistant Receptacles.
- “TR” designation provides visual identification.
- Side-Wire terminals accept up to #10 solid or stranded wire.
- Push-in terminals accept #14 solid wire (TR270, TR1107, TR780, & 9500TR Duplex devices only).
- Automatic grounding system eliminates need for bonding jumper in grounded metal enclosure, provides redundant measure of ground continuity where jumper used (Combination Devices only).
- Durable impact-resistant thermoplastic face and back body is virtually unbreakable.
- Combination LED Nightlight features dimmable nightlight that turns on in the dark and off in the light. (TR7735)

Construction Grade



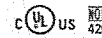
A	V/AC	NEMA	Description	Catalog No.	Available Colors
15A	125V	5-15R	Duplex Receptacle	□ TR5262	B, GY, LA, V, W
20A	125V	5-20R	Duplex Receptacle	□ TR5362	B, GY, LA, V, W

Specification Grade, Combination



A	V/AC	NEMA	Description	Catalog No.	Available Colors
15A	125V	5-15R	Combination Single Pole Switch & Receptacle	□ TR274	A, B, BK, LA, V, W
			Combination 3-Way Switch & Receptacle	□ TR293	A, B, BK, LA, V, W
			Decorator Combination Single Pole & Receptacle	□ TR7730	A, BK, LA, V, W
			Decorator Combination LED Nightlight & Receptacle	□ TR7735	A, LA, V, W
20A	125V	5-20R	Combination Single Pole Switch & Receptacle	□ TR291	A, B, BK, LA, V, W

Specification Grade, GFCI



A	V/AC	NEMA	Description	Catalog No.	Available Colors
15A	125V	5-15R	Duplex GFCI	□ TRVGF15	A, B, BK, GY, LA, RD, V, W
20A	125V	5-20R	Duplex GFCI	□ TRVGF20	A, B, BK, GY, LA, RD, V, W

Hospital Grade, Receptacles & GFCI



A	V/AC	NEMA	Description	Catalog No.	Available Colors
15A	125V	5-15R	● Duplex Receptacle	□ TR8200	B, GY, RD, V, W
			● Duplex GFCI	□ TRVGFH15	B, GY, LA, RD, V, W
20A	125V	5-20R	● Duplex Receptacle	□ TR8300	B, GY, RD, V, W
			● Duplex GFCI	□ TRVGFH20	B, GY, LA, RD, V, W

For ordering, include Cat. No. followed by the color code: A (Almond), B (Brown), BK (Black), GY (Gray), LA (Light Almond), RD (Red), V (Ivory), W (White)

● Hospital Grade

TESTING & CODE COMPLIANCE

- cULus Listed to UL498, UL943 file nos. E60120 (TRVGF), E15058 (all others), except TR8200 & TR8300: Listed to UL498, file no. E15058.
- cUL Certified to CSA C22.2, no. 42.
- TRVGF meets all UL943 and UL498 requirements.
- TR5262, TR5362, TR8200/8300 UL verified to Fed. Spec. WC-596G.
- NOM/ANSI Certified.
- Combination devices, cULus File E18704, UL20, UL498, cUL File E18704, CSA 22.2

MATERIAL CHARACTERISTICS

- Environmental: Flammability meets UL94 requirements; TR Combo Devices, TRVGF, TR8200, TR8300, 5262, 5362, V2 rated.
- Temperature Rating: TR Combo Devices: -20°C to 60°C (-4°F to 140°F); TRVGF: -35°C to 66°C (-31°F to 150.8°F); TR8200, TR8300: -40°C to 60°C (-40°F to 140°F); 5262, 5362: -20°C to 70°C (-4°F to 158°F).

