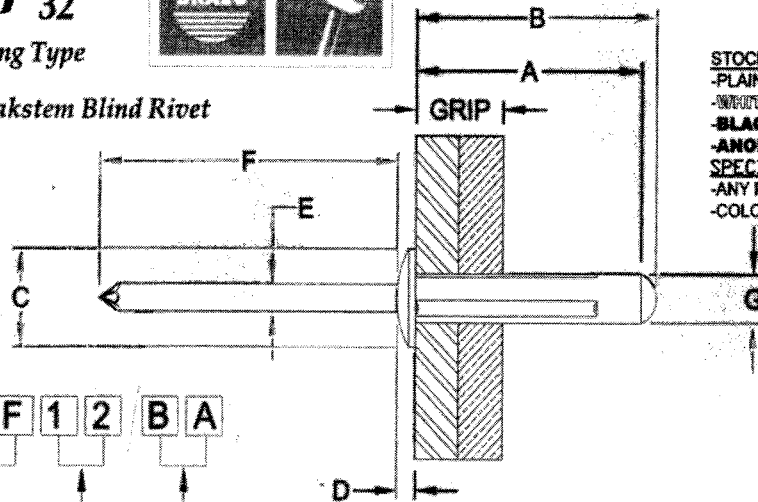
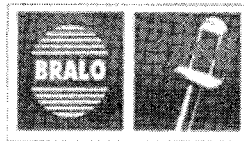




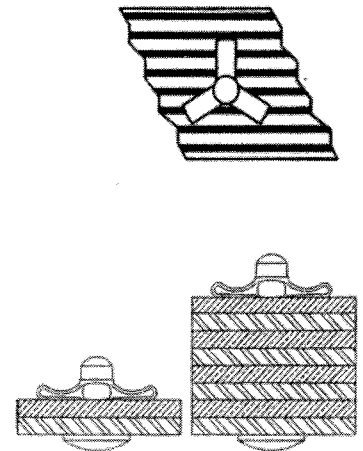
TRI-LEG $\frac{5}{32}$ "

Bulbing/Folding Type

Multi-grip Breakstem Blind Rivet



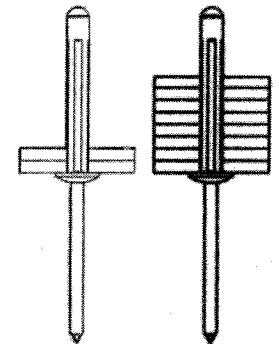
STOCK COLORS:
-PLAIN SILVER
-WHITE
-BLACK
-ANODIZED
SPECIAL ORDER:
-ANY PANTONE COLOR
-COLOR MATCH



A B L 0 5 2 3 L F 1 2 B A

↑ Rivet Material (TRI)
↑ Rivet Dia. in 32nds (0523)
↑ Max. Grip in 32nds (L)
↑ LARGE FLANGE INDICATOR (F12)
↑ FLANGE SIZE IN (mm) (B)
↑ Plating / Color Code (A)

STOCK COLORS & PART NUMBERING:
PLAIN SILVER
/WH = WHITE ENAMEL PAINTED
/BL = BLACK ENAMEL PAINTED
/BA = BLACK ANODIZED



INCH

INCH	PART#	GRIP RANGE	DIMENSIONS		HEAD DIAMETER	HEAD HEIGHT	MANDREL DIAMETER	MANDREL LENGTH	RIVET DIAMETER	PERFORMANCE	
			A RIVET LENGTH	B UNDERHEAD LENGTH						TENSILE	SHEAR
$\frac{5}{32}$	BTL532-118	.039 - .118	.575 .528	.605 REF.	.327 .303	.063 .047	.098 .094	1.063 MIN.	.183 .182	225 lbf Typical	113 lbf Typical
	BTL532-275	.039 - .275	.780 .732	.810 REF.							
	BTL532-472	.157 - .472	1.035 .957	1.07 REF.							
	BTL532-275L	.039 - .275	1.145 1.100	.810 REF.	.485 .480						

PART# BTL SERIES		TOLERANCES: UNLESS OTHERWISE SPECIFIED XXX = $\pm .005$ XX = $\pm .01$ ANGLES = $\pm 1^\circ$ FRACTIONS = $\pm 1/64$
MATERIAL: ALUMINUM		
FINISH: PLAIN (unless otherwise specified)		
DESCRIPTION: TRI-LEG RIVET		
Dwg File#	5/32" DATE: 11/19/02 REVISION: B	