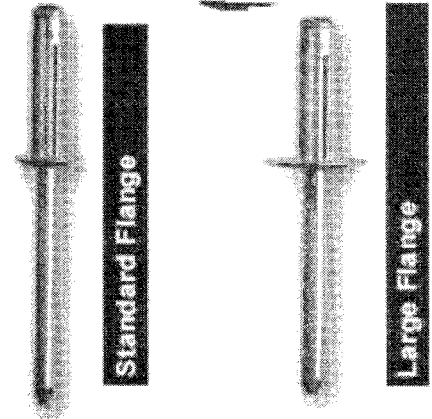
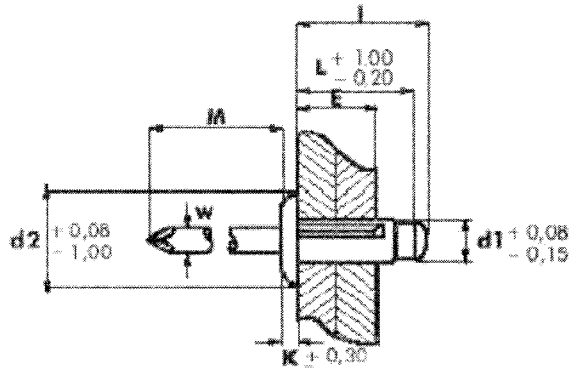




# Aluminum Dome Head - Bulbing / Folding Type



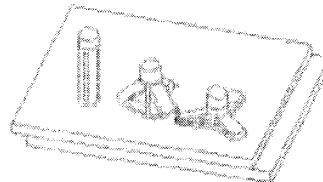
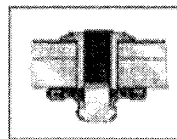
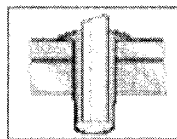
## INCH STANDARD

D1	L	D2	K	W	I	Grip Range	Flange	Part Number
5/32"	.535	.315	.055	.094	.606	.039 - .118	Dome	BTL532-118
	.740				.811	.039 - .276		BTL532-275
	.965	.472	.055	.094	1.020	.157 - .472	Large	BTL532-472
	.740				.811	.039 - .276		BTL532-275L
3/16"	.602	.346	.063	.114	.657	.039 - .118	Dome	BTL316-118
	.807				.862	.039 - .354		BTL316-354
	.965	.393	.063	.114	1.020	.157 - .472	Large	BTL316-472
	.607				.862	.039 - .354		BTL316-354L
	.607	.551				.039 - .354		BTL316-354XL

## METRIC STANDARD

D1	L	D2	K	W	I	Grip Range	Flange	Part Number
4.0 mm	13.6	8.0	1.4	2.4	15.4	1.0 - 3.0	Dome	BTL532-118
	18.8				20.6	1.0 - 7.0		BTL532-275
	24.5	12.0	1.4	2.4	26.3	4.0 - 12.0	Large	BTL532-472
	18.8				20.6	1.0 - 7.0		BTL532-275L
4.8 mm	15.3	9.3	1.6	2.9	16.7	1.0 - 3.0	Dome	BTL316-118
	20.5				21.9	1.0 - 9.0		BTL316-354
	24.5	10.0	1.6	2.9	25.9	4.0 - 12.0	Large	BTL316-472
	20.5				21.9	1.0 - 7.0		BTL316-354L
	20.5	14.0				1.0 - 7.0		BTL316-354XL

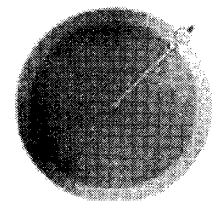
## FUNCTION



## AVAILABLE COATINGS

- Plain Finish
- Black Anodize
- Black Organic
- Black Enamel Paint
- White Enamel Paint

Color Match:



## PERFORMANCE DATA

5/32"	113 lbf	225 lbf
4.0	500 N	1,000 N
3/16"	233 lbf	249 lbf
4.8	900 N	1,100 N
	Shear	Tension